



LP364XS

Family:	Semi-professional Dishwasher
Installation type:	Free-standing
Colour:	Fingerprint proof stainless steel
Width:	600 mm
Depth:	600 mm
Height:	850 mm
Number of place settings:	14
Noise level:	45 dB(A) re 1 pW
Energy rating:	A++



PROGRAMS / FUNCTIONS

Number of programs: 5+4 quick programs (ULTRA quick program just 16 mins*)

Washing temperatures: 38°, 45°, 65°, 55°, 70° C

Glass PRO, Soak, Crystal, ECO, Ultra Rapid, Auto 60, Universal, Ultraclean, Intensive 70°

(* with hot water supply and maximum nominal power – recommended for a max. 5 programs a day)



OPTIONS

Energy saving option EnerSave: A++

Delay timer option: Up to 24 hours, with automatic soak

Varied distribution 1/2 load option FlexiZone, Options for tabs FlexiTabs, Professional option

BASKETS

Basket colour: Grey

Basket components colour: Grey

Handle: On upper and lower basket

Third upper basket for cutlery: Yes, FlexiDuo

Upper Basket: With foldable central racks and glass holder

Height adjustment of the upper basket: On three horizontal levels

Upper basket with Easy glide system

Lower Basket: With completely foldable racks and glass holder

TECHNICAL FEATURES

Controls: Electronic

Display: Delayed start, Indication of program time, Indication time to end

Salt light indicator: Light

Rinse aid light indicator: Light

Progress indicator

End of cycle indicator: On display, with acoustic signal

Washing system: Orbital

Third spray arm: Single

Water softener: With electronic setting

Turbidity sensor Aquatest

Water protection system: Total Aquastop

Water connection: Single; cold/hot water max. 60°C - energy save with hot water up to 35%

Drying system: Natural condenser drying, with EnerSave automatic door opening system at the end of the cycle

Tank material: Stainless steel

Filter: Stainless Steel

Hinges: Self balancing with fixed fulcrum

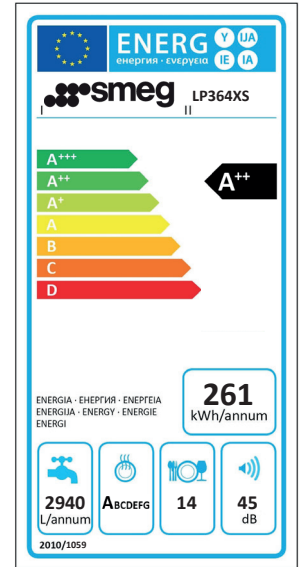
Adjustable feet: Just for a level adjustment



LP364XS

PERFORMANCE / ENERGY LABEL

- Energy consumption per cycle (kWh/cycle): 0.92 kWh
- Water consumption per cycle (L/cycle): 10.5 L
- Annual energy consumption: 261 kWh
- Annual water consumption: 2940 L
- Reference program: ECO
- Total cycle time of reference program (min): 175 min
- Energy consumption - standby off mode: 0.02 W
- Energy consumption - standby on mode: 0.80 W
- Duration till standby mode is activated (min): 5 min



STANDARD ELECTRICAL CONNECTION

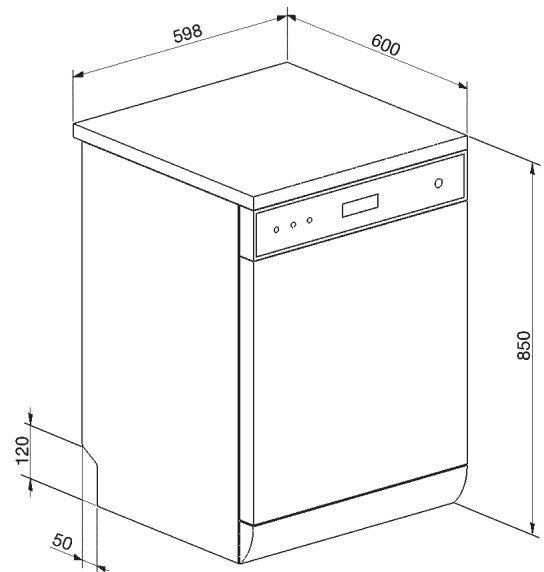
- Nominal power: 5.45 kW
- Current: 32 A
- Voltage: 230-240 V
- Frequency: 50 Hz
- Connection type: Hard wire

OPTIONAL CONNECTIONS

- Nominal power: 3.5 kW
- Current: 20 A
- Voltage: 230-240 V
- Frequency: 50 Hz
- Connection type: Hard wire

- Nominal power: 2 kW
- Current: 13 A
- Voltage: 230-240 V
- Frequency: 50 Hz
- Connection type: UK 13 amp plug**

(** For this connection the dishwasher will need a new cable fitting and a plug attaching)



DIMENSIONS

SYMBOLS EXPLAINED



A++:

Energy efficiency class A++ helps to save up to 20% energy compared to class A. Maximum performance with minimum consumption is guaranteed.



14 place settings:

The symbol shows the number of plate settings for the dishwasher.



smeg
FOODSERVICE

LP364XS

SYMBOLS EXPLAINED



ORBITAL WASH SYSTEM:

Orbital wash system distributes water evenly throughout the 60cm dishwasher cavity, directing water with precision to ensure an excellent wash.



DELAY TIMER:

The delay timer can postpone the start of the program by up to 24 hours.



FlexiZone:

The ½ load flexizone allows you to wash a reduced load saving energy, water and time and there are no restrictions on where the items are placed.



Enersave:

At the end of the drying cycle a special device slowly automatically opens the door a few centimeters, to ensure perfect drying and to save up to 20% of energy on some models.



Total acquastop:

Most models of Smeg dishwashers are equipped with total Acquastop, which prevents flooding. The system consists of a float sensor, installed under the inner chamber of a dishwasher, which blocks the supply inside the appliance in case of water leakage into the lower tray. An additional electromagnetic valve on the water inlet hose also automatically blocks the water supply if detecting water leakage in the hose.



AQUATEST:

Aquatest measures the clarity of the water during an auto program, and automatically ensures the minimum consumption of water and energy.



FlexiDuo:

The FlexiDuo 3rd cutlery basket allows you to arrange cutlery or small cups, ladles, or bulky utensils however you like: it consists of two separate and moveable modules.



EasyGlide:

Convenient EasyGlide system for easy and maximum flexibility of the unloading of the appliance.



FLEXITABS:

Flexitabs adjusts the wash cycle to give the best possible results regardless of the type of detergent used.



WATERSAVE:

System WaterSave ensures the best washing results with minimal water consumption depending on the model of dishwasher.



Noise Level:

Excellent insulation and special components keep noise to a minimum.



Professional:

The optional 4 Professional programs enables the appliance to significantly reduce the washing times to a minimum 16 minute cycle (subject to water and electrical connection).