

## UD516DSUK



Professional undercounter dishwasher, double skinned, 600 x 400mm tray washer

Product Family	Dishwashers
Type	Undercounter Dishwasher
Line	TOPLINE
Basket dimensions	500 x 500mm baskets or 600 x 400mm trays
Outside dimensions (WxDxH)	600 x 675 x 820mm

### TECHNICAL SHEET

#### TECHNICAL DATA



Structure: Double skinned in AISI 304 stainless steel and insulated

Characteristic: Dishwasher with the ability to wash 600 x 400mm Euronorm trays

Required electrics and fuse protection: 1ph 5.7kW 25A / 3ph 5.7kW 16A / 1ph 4kW 20A / 1ph 2.7kW 13A

Control type: Electronic soft touch controls

WRAS compliant break tank: Yes

Basket dimensions: 500 x 500mm baskets or 600 x 400mm trays

Baskets per hour: 60 / 40 / 24 / 20

Number of programs: 7

Thermo-acoustic insulation: door and wash chamber

Rinse aid dispenser: Peristaltic pump with electronic adjustment via the control panel

Detergent dispenser: Peristaltic pump with electronic adjustment via the control panel

Useable loading height: 415mm

Wash tank capacity: 11L

Boiler capacity: 6L

Boiler heating element: 5kW 1ph / 5kW 3ph / 3.3kW 1ph / 1.7kW 1ph

Wash tank heating element: 2.0kW

Inlet water maximum temperature: 60°C

Outside dimensions (WxDxH): 600 x 675 x 820mm

Power supply / Total power installed: 230V 1N 50Hz / 5.7kW - 400V 3N 50Hz / 5.7kW - 230V 1N 50Hz / 4.0kW - 230V 1N 50Hz / 2.7kW

Weight (net/gross): 68 / 76kg

Integral continuous water softener: yes

Wash system: Wash pump with 'Soft start' system

Wash pump: 0.7kW

Rinse system: Atmospheric boiler and rinse pump (HTR system)

Drain system: Drain pump and triple stage dynamic filter with partial water exchange in the wash tank

Filtering system: Integral stainless steel top wash tank filter with removalable scrap basket with stainless steel micro filter and additional micro filter in the sump for wash pump protection

Water consumption per cycle: 2.7L

Usable loading depth: 600mm

Selectable: FRESH WATER function for complete wash tank water replacement after each wash cycle

Selectable: EXTENDED-RINSE function for a prolonged rinse

Dishwasher capable of washing 1/1 GN trays and boxes 600x400mm

Balanced and insulated double skinned door with gasket

Thermostop for controlling the rinse water temperature

Self-diagnosis system with fault warning

Insulated boiler

Moulded basket guides

Drain pipe on the boiler for complete drainage

'Stand-by' function of the heating elements during periods of non-use

2 x wash arms in AISI 304 stainless steel

2 x rinse arms in AISI 304 stainless steel

Moulded tank with rounded corners

Connection to water mains with a 3/4 threaded fitting on the back of the appliance

Self cleaning cycle available as standard

Cycle automatically starts when closing the door/hood (optional)

Adjustable feet

## ACCESSORIES

[PB50D01](#) - Plastic basket for dishes, max 18 pieces Ø 250mm

[PB50G01](#) - Plastic universal flat-bottomed basket

[WB50D01](#) - Wire basket for 18 dishes Ø 250mm and self-service trays

[WB50G01](#) - Wire fine-mesh flat-bottomed basket

[WB50T02](#) - Wire basket for 7 x 1/1 GN trays, max 20mm deep

[PHOOS01](#) - Plastic single cutlery basket

[PHOOS02](#) - Plastic cutlery basket with 6 compartments

[PHOOS03](#) - Plastic cutlery basket with 8 compartments

[WS5](#) - Stand for 500 x 500mm basket glasswasher / dishwasher

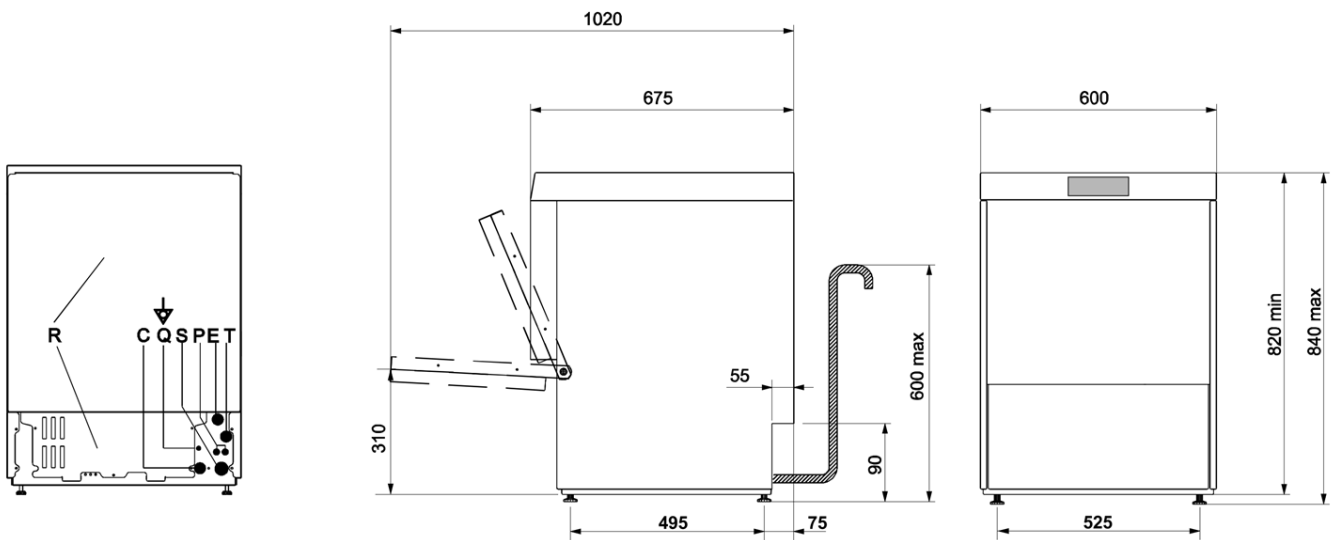
[KITSONLIV](#) - Retro-fit low level chemical sensor kit for all Topline glass and dishwashers

## EQUIPMENT

- 1 [PB50D01](#) - Plastic basket for dishes, max 18 pieces Ø 250mm
- 1 [PB50G01](#) - Plastic universal flat-bottomed basket
- 1 [WB50T03](#) - Stainless steel basket for 600 x 400 or 1/1 GN trays
- 1 PH00S02

Do you need more information about this product? Contact us and we will reply to you as soon as possible.

[CONTACT US](#)



Q	MORSETTO EQUIPOTENZIALE EARTH TERMINAL
E	CAVO ALIMENTAZIONE ELETTRICA ELECTRICITY SUPPLY CABLE
C	TUBO DI CARICO FILLER HOSE
P	TUBI POMPE PERISTALTICHE PERISTALTIC HOSES
T	ENTRATA CAVO DI ALIMENTAZIONE DOSATORE ESTERNO EXTERNAL DISPENSER POWER CABLE ENTRY POINT
S	TUBO DI SCARICO DRAIN HOSE
R	PANNELLO RETRO LOWER BACK PANEL